

ELECTRO-WRAP EWA-T

Automatic Rotary Tower Stretch Wrapper

ARPAC®

A DURAVANT COMPANY



Available with either drag chain or roller conveyor.

FEATURES AND BENEFITS

Machine Features

- Flashing safety beacon
- Adjustable top and bottom illuminated LED wrap counters
- Magnetic proximity switches in place of mechanical limit switches
- Top film overwrap control feature (TOC)
- Electronic film tension adjustment control on control panel
- Long-range photo eye for automatic load height sensing
- User-friendly push button operator control panel
- Built-in self-diagnostics
- Positive home position alignment
- End pallet stop included

System Components

- Heavy-duty, welded steel construction (no plastic panels) designed for long life
- Eco-friendly, durable powder coating
- Up to 15 RPM rotating arm can deliver 25–55 loads per hour
- Dual V-belt drive rotating arm
- NEMA 3 commutator

Conveyors

- Chain driven roller conveyor can support up to 4,000 lb.
- Three strand drag chain conveyor can support up to 3,000 lb.
- Integrated film clamp
- Automatic indexing

Controls Hardware

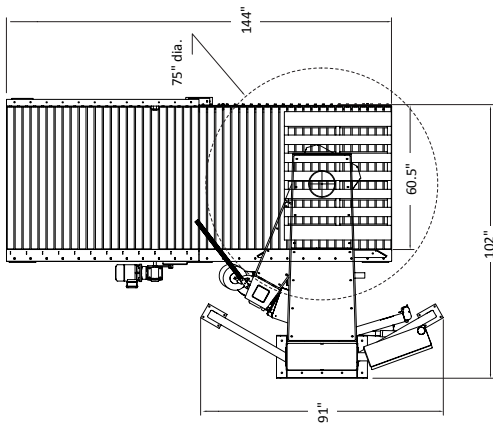
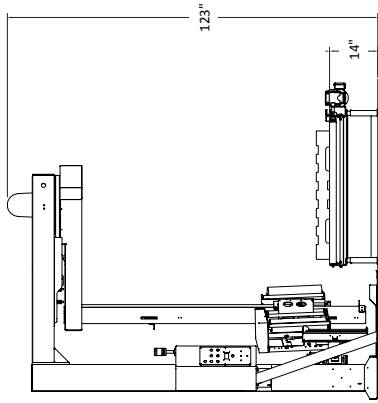
- Allen-Bradley® power, control, and safety components
- Allen-Bradley® MicroLogix™ PLC
- NEMA 12 electrical cabinet
- UL/CSA approved components



Film Delivery System

- EZ-Load® film pre-stretch dispenser for 20" film rolls
- Dual anti-static film rollers with manufacturer's lifetime warranty
- Film pre-stretch capability from 150 to 300% stretch (200% standard)
- Variable carriage speed up to 21 feet per minute
- Belt lift for quiet operation
- Dancer bar variable corner compensation
- Electronic film tension adjustment control

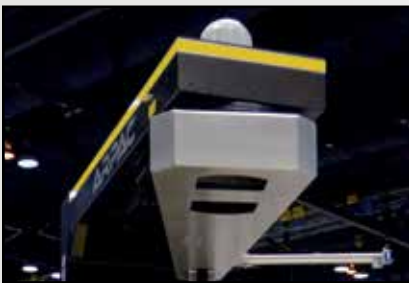
Note: Final Layout May Vary



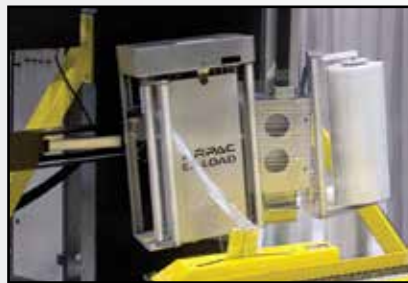
Specification	Measurement
Max. load weight capacity	4,000 lb. (standard)
Arm rotation speed	Up to 15 RPM
Min load height	24"
Max load height (standard tower)	80"
Max. load diagonal clearance	75"
Max. load width & length	53" x 53"
Machine height (standard tower)	123"
Machine length	87"
Machine width (wrapper only)	91"
Electrical power requirements	120 V, 1 Ph, 60 Hz, 20 A, 2.4 kW

OPTIONS

- Tower and arm extensions for wrapping loads exceeding standard machine capability
- 30" film delivery system
- Other NEMA rated control enclosures available
- Optional input voltages
- Cold and freezer packages available
- Free-standing control panel



Heavy-Duty Slewing Bearing and NEMA 3R Commutator



Electric Clamp, Cut, and Wipe Down System



User-Friendly Operator Controls

Complete Aftermarket Service & Support for Your Packaging Equipment

SUPPORTPRO™

A DURAVANT SERVICE

Call **844.777.8776** for your regional tech

24/7 Help Available



THE DURAVANT FAMILY OF COMPANIES

www.duravant.com

ARPAK | FISCHBEIN INTERNATIONAL | FMH CONVEYORS | HAMER-FISCHBEIN | KEY TECHNOLOGY | MARLEN INTERNATIONAL | MESPACK | OHLSON | QC INDUSTRIES