

# L SERIES

Automatic L-Bar Horizontal Shrink Wrapper



A DURAVANT COMPANY



## APPLICATIONS

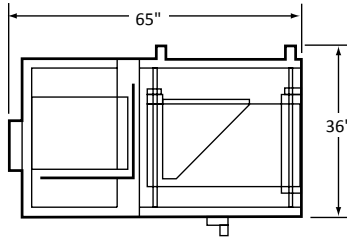
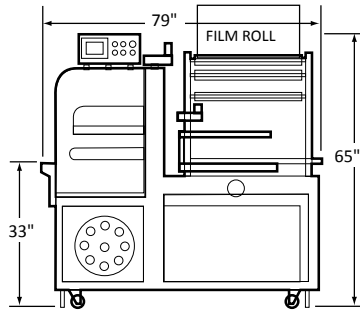
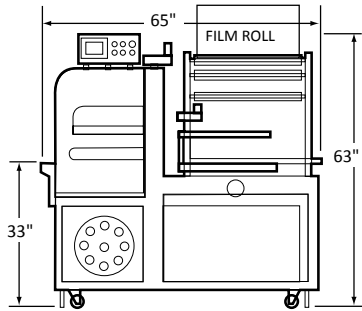
- Bottles
- Mailers
- Cosmetics
- Games
- Spray cans
- Paper products
- Food products
- Pharmaceutical
- Linens
- Hardware
- Software
- Medical Equipment
- Books
- gears/sprockets
- Rolls of Bags

## MACHINE FEATURES

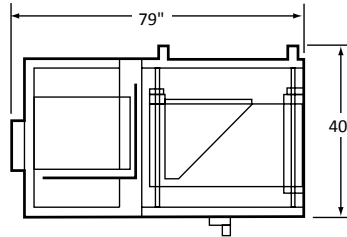
- Welded steel frame in a compact size for space efficiency.
- Guillotine style hot knife seal bar design.
- Single point adjustment seal height with automatic seal cylinder stroke limiting.
- "Seal Height Calibration Sequence" automatically determines proper seal head cushioning.
- 45-90 FPM variable speed conveyor.
- Soft start by AC frequency control.
- Allen Bradley Micro Logix PLC and color touch-screen interface.
- Continuous product staging infeed.
- Easy load film cradle with on demand power film feed.
- Perforator wheel hole punch (pneumatic hole punch optional).
- Film pinch roller is positioned ahead of seal head eliminating film breaks/tears.
- Scrap film trim removal by rewind system.
- Casters with adjustable legs.

	L18	L26
<b>Package Range**</b>	W: 1 1/2" to 15" L: 4" TO 18 1/2" H: 1/4" TO 6"	W: 1 1/2" to 19" L: 4" TO 26 1/2" H: 1/4" TO 8"
<b>Max Film Width</b>	24" Centerfolded	30" Centerfolded
<b>Max Film Diameter</b>	11 1/2"	
<b>Seal Dimensions</b>	17 3/4" W x 19 1/2" L	21 1/2" W x 27 1/2" L
<b>Speed*</b>	- Max speed: 40 PPM based on 7" W x 4" L x 1" H product - Variable conveyor speed: 45-90 FPM	
<b>Power Requirements</b>	Electrical: 220V (AC), 1Ph, 60Hz, 20A Pneumatic: 80 psi, 5 CFM	
<b>Gross Shipping Weight</b>	1,170 lbs	1,600 lbs
<p>* Not all values can be combined. Contact factory with samples for evaluation and quotation.</p> <p>** Package maximums cannot occur together Sizing formula: W + H (1" min.) + 3" = CF film width For products over 3" high, use W + H + 4 = CF film width</p>		

Note: Final Layout May Vary



L18



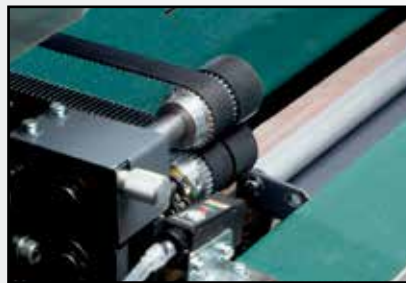
L26

**OPTIONS**

- Various belted and flighted infeed conveyors
- Variable speed belted infeed conveyor with right angle indexer
- Infeed product guide used with automatic infeed or round/unstable product.
- Closing conveyor - factory Installed
- Lower film cradle
- Vertical photoeye for use with products under 1/4" high or those not consistently detected with standard horizontal photoeye
- Pneumatic hole punch
- Print registration - closed-loop system for 1/4" accuracy.
- Vision Series shrink tunnel
- Reverse flow - mirror image construction for product flow from left to right.(Special Order)
- Auxiliary emergency stop push button can be located at infeed table or further upstream at operator station.
- Auxiliary infeed conveyor control relay provides "dry contact" for synchronous operation with 6' lugged, 6' belted, collator or any auxiliary infeed system
- 2 color machine status beacon - green light - machine in cycle mode, red light - for fault condition
- Low film alert with 3 color machine status beacon - green indicates machine in cycle mode, red indicates fault condition, and yellow indicates low film status
- Stainless steel construction with food grade belting, not intended for wash-down environment (special order)
- Powered film centerfolder for running single wound film
- Food approved infeed and discharge belts



User-Friendly Controls



Innovative pinch Roller Design to Eliminate Film Breaks



Guillotine Style Seal Head

**Complete Aftermarket Service & Support for Your Packaging Equipment**

**SUPPORTPRO™**

A DURAVANT SERVICE

Call **844.777.8776** for your regional tech

**24/7 Help Available**



THE DURAVANT FAMILY OF COMPANIES

ARPAC | FISCHBEIN INTERNATIONAL | FMH CONVEYORS | HAMER-FISCHBEIN | KEY TECHNOLOGY | MARLEN INTERNATIONAL | MESPACK | OHLSON | QC INDUSTRIES

[www.duravant.com](http://www.duravant.com)