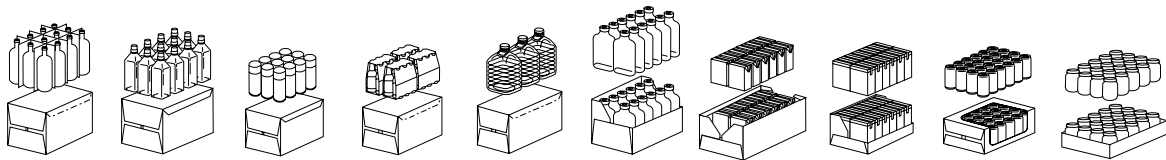


Performance Series™ PC-2000

Intermittent Motion Wraparound Case Packer

ARPAC®

A DURAVANT COMPANY



The Performance-Series™ PC-2000 is a member of ARPAC's line of high performance case/tray packers. The PC-2000 is an intermittent motion wraparound case/tray packer capable of reaching speeds of up to 20 cases/trays per minute.

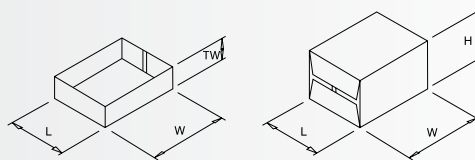
The PC-2000 uses up to 20% less corrugated material as compared to regular slotted cases (RSC's) resulting in significant annual material savings.

This rugged machine reduces labor, increases productivity, reduces packaging costs and integrates easily into new or existing packaging lines.

The Performance-Series™ works well with many tapes of packages. The system collates the products, loads the corrugated cases or trays and closes them with hot-melt glue.

FEATURES AND BENEFITS

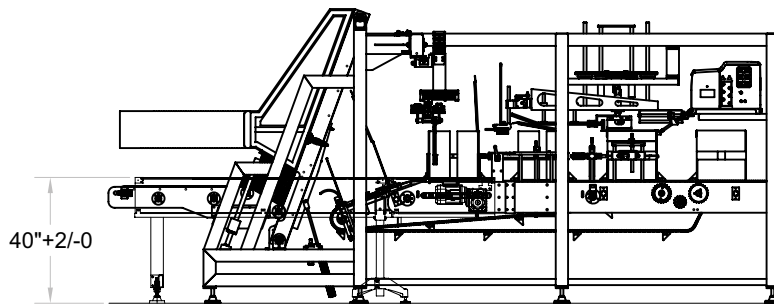
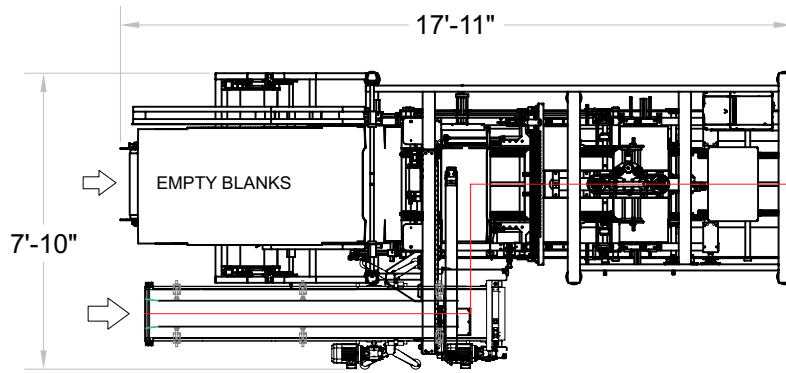
- Speeds of up to 20 cases/trays per minute
- Uses up to 20% less corrugated material as compared to regular slotted case (RSC)
- Works well with metal cans, paper cans, glass jars, glass bottles, plastic jars and plastic bottles
- Provides tight packages minimizing the need for partitions while protecting glass containers from damage
- Options allow for automatic insertion of partitions/dividers for the ultimate in product protection
- Easily adjusts to varying product sizes, speeds and product patterns
- Runs trays and wraparound cases



Product Sizes	W	L	H	TW
Minimum	7.7"	3.2"	4.7"	1.5"
Maximum	23.2	15.3"	14.7"	8.5"



Note: Final Layout May Vary



OPTIONS

- Wraparound tray kit
- Servo changeover
- Servo lane divider
- Partition inserter

SPECIFICATIONS

Speed

- Up to 20 packages per minute
- Manufacturer's Joint
- Inside or outside available

Power Requirements

Electrical

- 240 or 480VAC, 3 phase, 60 Hz

Pneumatic

- 80psi, 20 CFM

Product Range

- Width: 7.7–23.2"
- Length: 3.2–15.3"
- Height: 4.7–14.7"
- Inner Flap
- Regular Slotted Case (R.S.C.)

Glue System

- Nordson ProBlue® 4



Loading Section



Standard Blank Magazine Hopper



User-Friendly Control Panel

**Complete Aftermarket
Service & Support
for Your Packaging
Equipment**

SUPPORTPRO™

A DURAVANT SERVICE

Call **844.777.8776** for your regional tech

24/7 Help Available



THE DURAVANT FAMILY OF COMPANIES

ARPAC | FISCHBEIN INTERNATIONAL | FMH CONVEYORS | HAMER-FISCHBEIN | KEY TECHNOLOGY | MARLEN INTERNATIONAL | MESPACK | OHLSON | QC INDUSTRIES

www.duravant.com